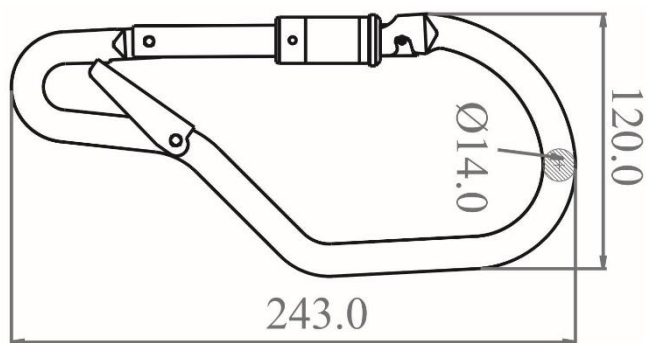




TECHNICAL SHEET FA 50 214 60

ALUMINIUM REBAR HOOK



CE	Weight: 0.24 kg
-----------	---------------------------

KRATOS SAFETY

689 Chemin du Buclay
38540 Heyrieux – FRANCE

Tel : +33 (0)4 72 48 78 27
Fax : +33 (0)4 72 48 58 32

www.kratossafety.com / info@kratossafety.com

Aluminium Rebar Hook

Opening: 60 mm.

Minimum breaking strength: 20 kN.

Compliance: EN362 : 2004 Class A and T .

Material of components:

Aluminium Alloy

HS CODE

76161000

CARTON SIZE / PCS.

40 x 40 x 24 / 50

AET N°5840 I1 E2

Satra Technology Centre, N°0321
Wyndham Way, Telford Way, Kettering
Northamptonshire, NN16 8SD, United Kingdom

ARTICLE 11 GB07/73551

SGS United Kingdom Ltd., N°0120
Unit 202B, Worle Parkway,
Weston-super-Mare, BS22 6WA, United Kingdom